

18W / 27W / 36W
E26 Base



45W / 54W / 63W
E39 Base



63W / 80W / 100W
E39 Base

LED LOC-CL Multi Watt Multi CCT Corn Light Family Series

CONSTRUCTION:

Extruded aluminum alloy to be more conductive to heat dissipation with PC cover. Temperature sensor.

OPTICAL SYSTEM:

Lumileds 2835 LED chips. 360° beam angle. High quality tempered glass optics.

WARRANTY:

5-year limited warranty. Actual performance may differ as a result of end-user environment and application.

ELECTRICAL:

Available as 100-277V input. -40°C to 60°C, -40°F to 140°F

DIMMING:

Continuous dimming.

INSTALLATION & MOUNTING:

E26/E39 screw in base. No ballast required. Suitable for enclosed fixtures.

FEATURES

- Default Wattage is the highest wattage
 - 36W
 - 63W
 - 100W
- Default CCT: 5,000K
- IP42 rated
- No fans or moving parts providing increased reliability
- No lead or mercury
- 50,000 hours lifetime

SUITABLE APPLICATIONS

- Parking decks
- Auto dealerships
- High masts
- Housing complexes
- Shopping malls
- Parks and Recreational areas

DLC Product ID:

- LOC-CL-MW(45/54/63)MCCT(30/40/50)D – PLUXFCA2PUYJ
- LOC-CL-MW(63/80/100)MCCT(30/40/50)D – PLFVW8SMYH6A



NOT DLC Listed:

- LOC-CL-MW(18/27/36)MCCT(30/40/50)D



OPTIONAL ACCESSORIES:



Daylight Sensor
LOC-L11-01



Microwave Sensor
LOC-L12-01



WiFi Smart Sensor
LOC-L10-01



3 in 1 Dimming
LOC-L07-01

LOC-CL-MW(18/27/36)MCCT(30/40/50)D E26 Base

WATTAGE SELECTABLE	CCT SELECTBALE	LUMENS	EFFICACY	VOLTAGE	CRI	POWER FACTOR	THD	REPLACES
18W	3000K / 4000K / 5000K	1,931.4LM	107.3lm/W	100-277V	85	0.9	13.8%	150W
27W	3000K / 4000K / 5000K	2,897.1LM	107.3lm/W	100-277V	85	0.9	13.8%	150W
36W	3000K / 4000K / 5000K	3,862.8LM	107.3lm/W	100-277V	85	0.9	13.8%	150W

LOC-CL-MW(45/54/63)MCCT(30/40/50)D E39 Base

WATTAGE SELECTABLE	CCT SELECTBALE	LUMENS	EFFICACY	VOLTAGE	CRI	POWER FACTOR	THD	REPLACES
45W	3000K / 4000K / 5000K	4,828.5LM	107.3lm/W	100-277V	85	0.9	13.8%	250W
54W	3000K / 4000K / 5000K	5,794.2LM	107.3lm/W	120-277V	85	0.9	20%	250W
63W	3000K / 4000K / 5000K	6,759.9LM	107.3lm/W	120-277V	85	0.9	20%	250W

LOC-CL-MW(63/80/100)MCCT(30/40/50)D E39 Base

WATTAGE SELECTABLE	CCT SELECTBALE	LUMENS	EFFICACY	VOLTAGE	CRI	POWER FACTOR	THD	REPLACES
63W	3000K / 4000K / 5000K	6,955.2LM	110.4lm/W	120-277V	85	0.8	15.8%	600W
80W	3000K / 4000K / 5000K	8,832LM	110.4lm/W	120-277V	85	0.8	15.8%	600W
100W	3000K / 4000K / 5000K	11,040LM	110.4lm/W	120-277V	85	0.8	15.8%	600W

SELECTABLE COLOR TEMPERATURE OPTIONS



3000K



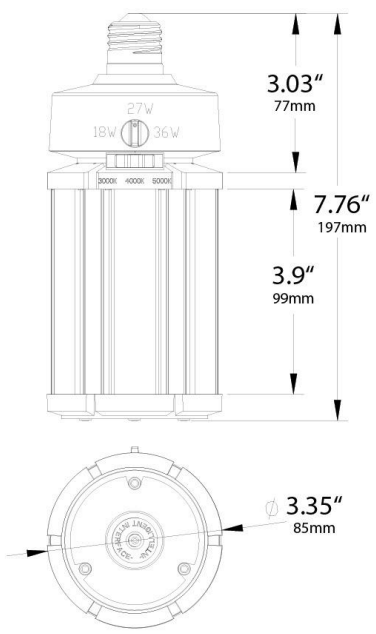
4000K



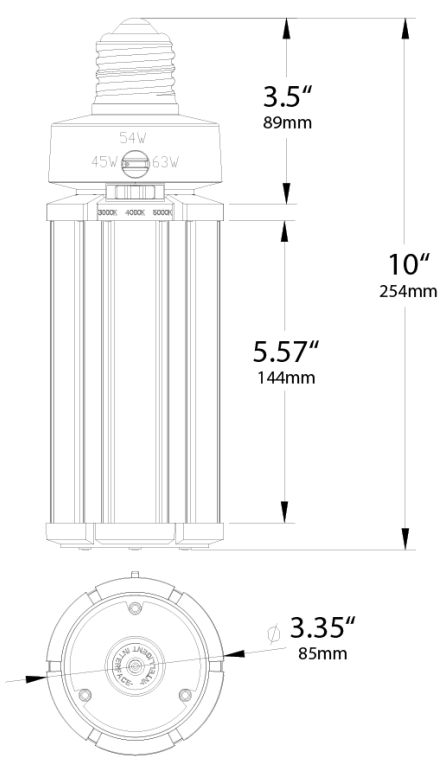
5000K



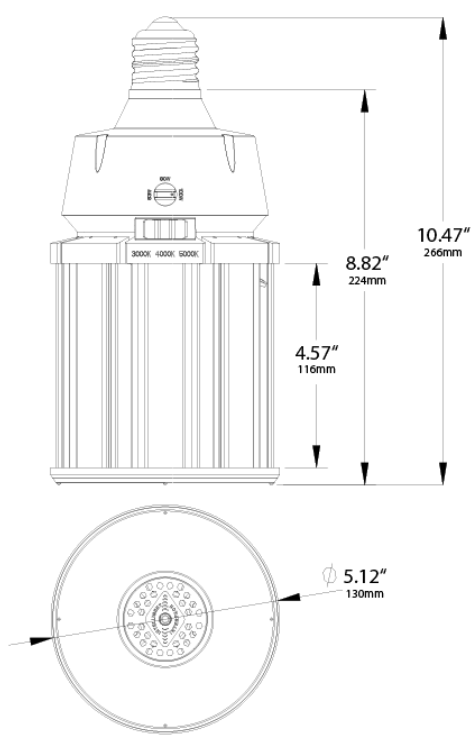
MEASUREMENTS



18W / 27W / 36W



45W / 54W / 63W



63W / 80W / 100W

MODEL	QUANTITY	WEIGHT	UPC CODE
LOC-CL-MW(18/27/36)MCCT(30/40/50)D	1	1.48lbs	00810050941501
LOC-CL-MW(45/54/63)MCCT(30/40/50)D	1	1.81lbs	00810050941518
LOC-CL-MW(63/80/100)MCCT(30/40/50)D	1	3.2 lbs	00810050941525